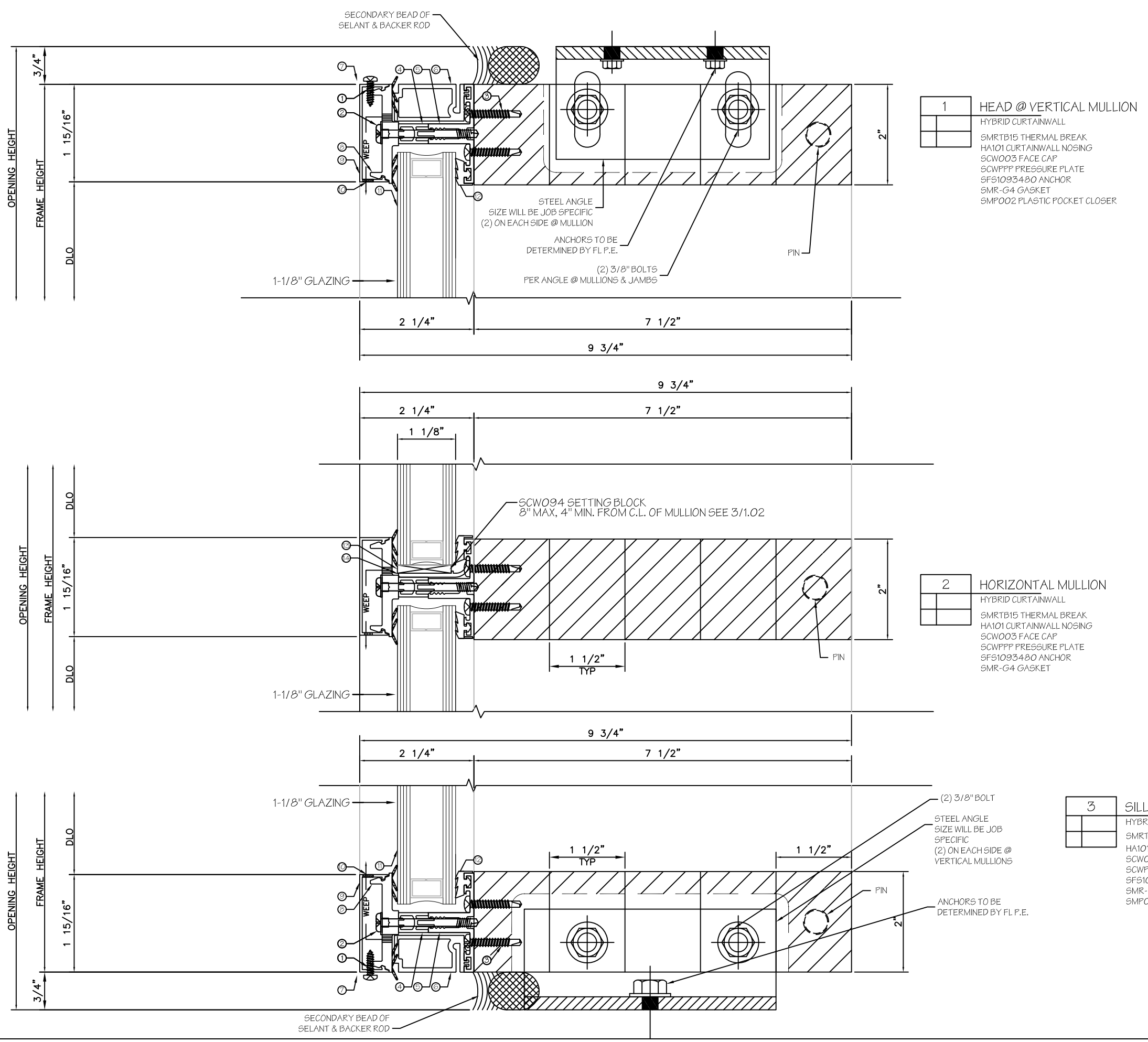


REVISIONS	
1	
2	
3	

DRAWN BY: TAE
DATE:
CHECK BY:
DATE:

PROJECT:

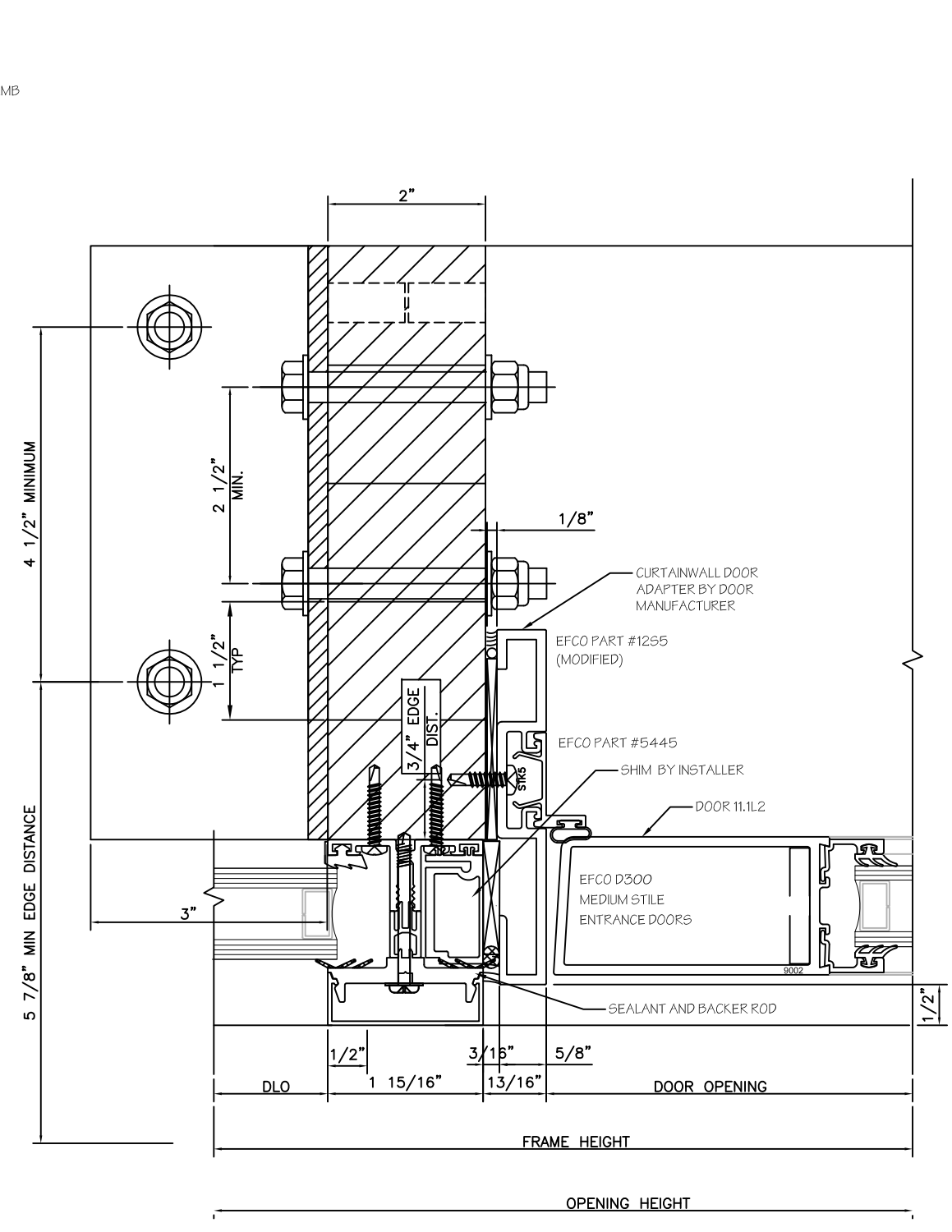
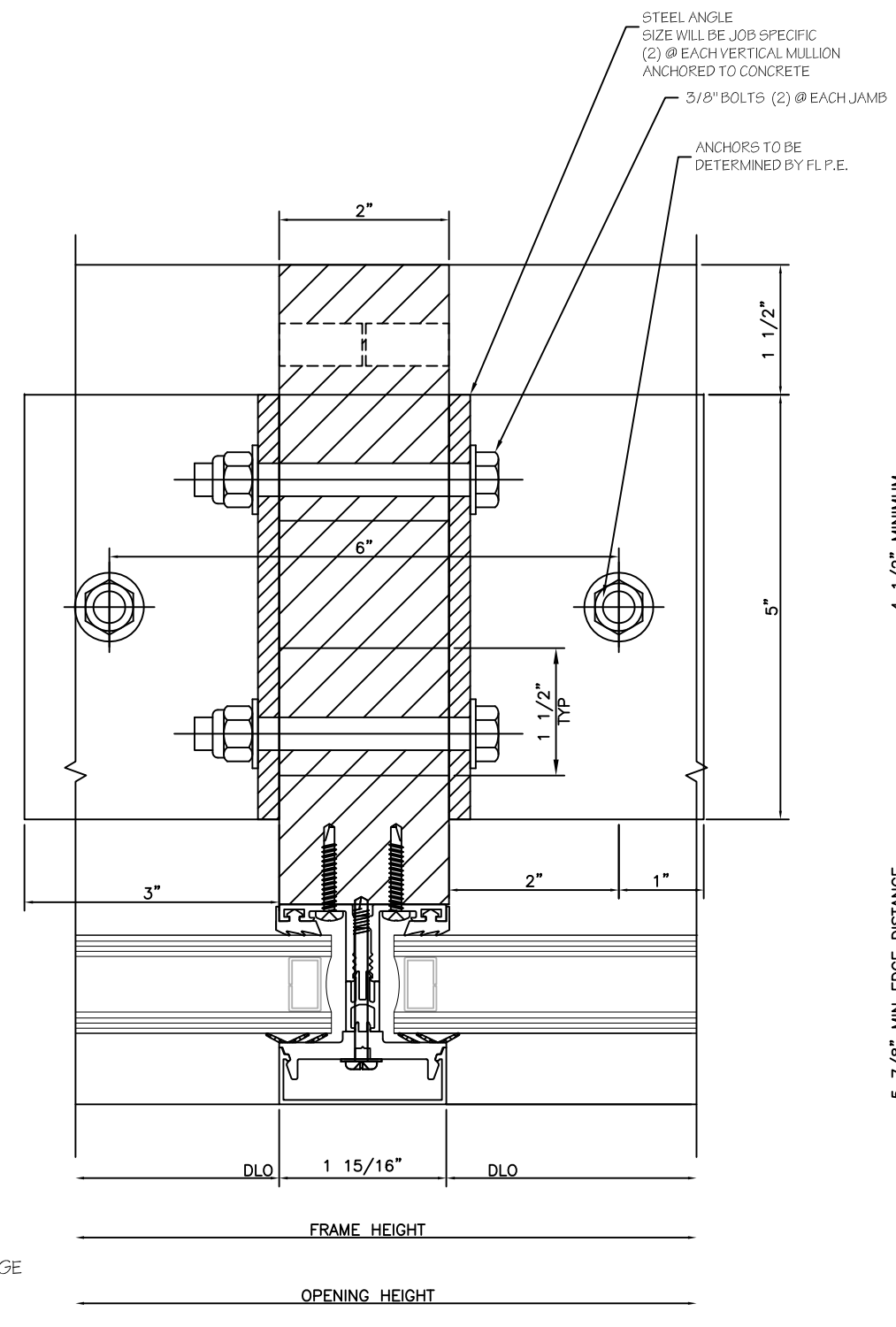
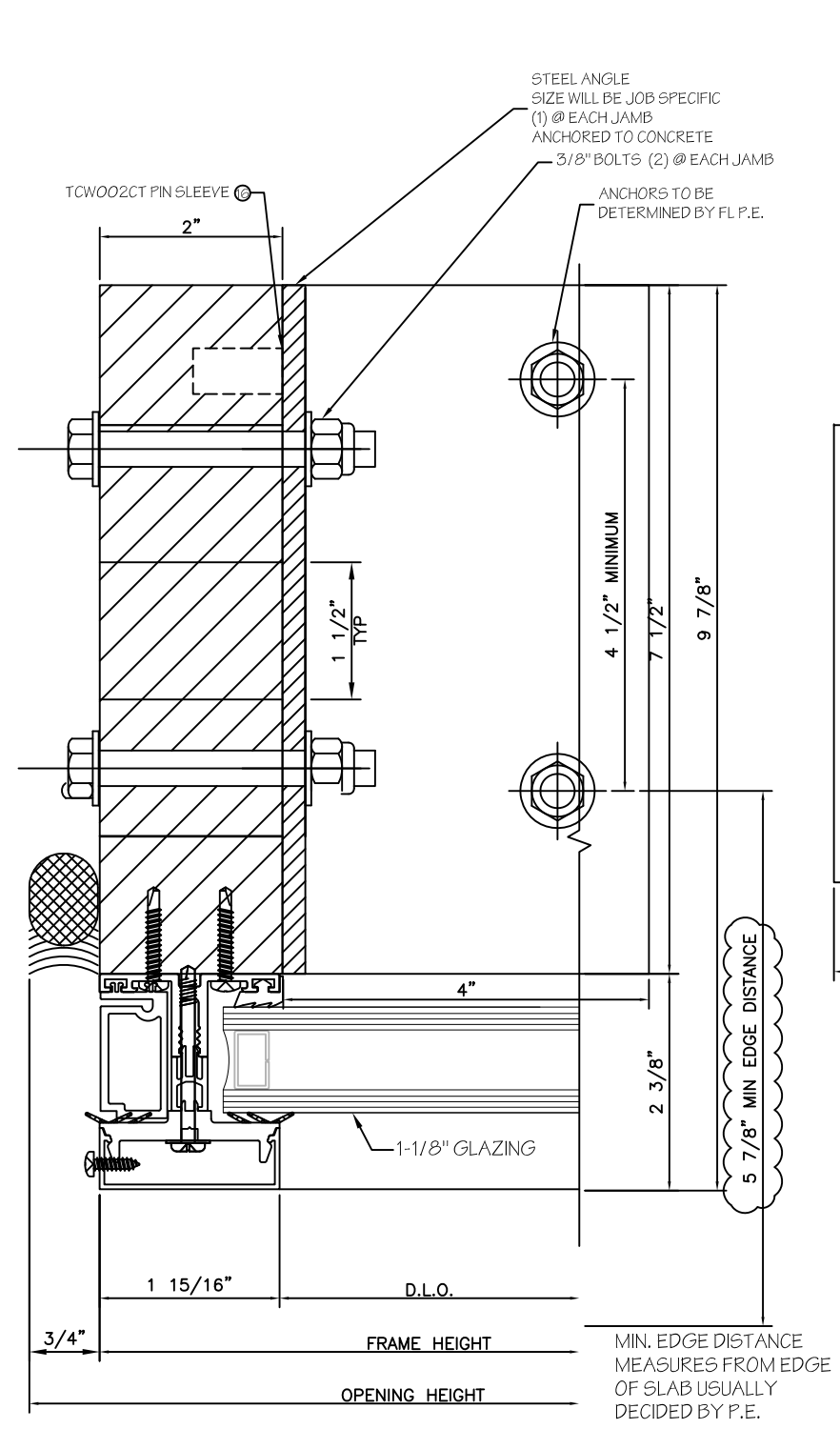
**CTM** Engineered  
Glazing Systems  
9195 Boggy Creek Road, Ste. #1  
Orlando, Florida 32824  
(407) 857-9237 FAX (407) 857-9247



1	JAMB
	HYBRID CURTAINWALL
	SMRTB15 THERMAL BREAK
	7 1/2" WOOD MULLION
	HA101 CURTAINWALL NOSING
	SCW002 FACE CAP
	SCWPPP PRESSURE PLATE
	HA185 POCKET CLOSER
	SFS1093480 ANCHOR
	SMR-G4 GASKET

2	VERTICAL
	HYBRID CURTAINWALL
	SMRTB15 THERMAL BREAK
	7 1/2" WOOD MULLION
	HA101 CURTAINWALL NOSING
	SCW002 FACE CAP
	SCWPPP PRESSURE PLATE
	SFS1093480 ANCHOR
	SMR-G4 GASKET

3	VERTICAL @ DOOR
	HYBRID CURTAINWALL
	SMRTB15 THERMAL BREAK
	7 1/2" WOOD MULLION
	HA101 CURTAINWALL NOSING
	SCW002 FACE CAP
	SCWPPP PRESSURE PLATE
	HA185 POCKET CLOSER
	SFS1093480 ANCHOR
	SMR-G4 GASKET



REVISIONS

DRAWN BY: TAE  
DATE:  
CHECK BY:  
DATE:

PROJECT:

CTM Engineered  
Glazing Systems  
9195 Boggy Creek Road, Ste. #1  
Orlando, Florida 32824  
(407) 857-9237 FAX (407) 857-9247



DRAWING NO. 2015-xxxx

SHEET NO. 402